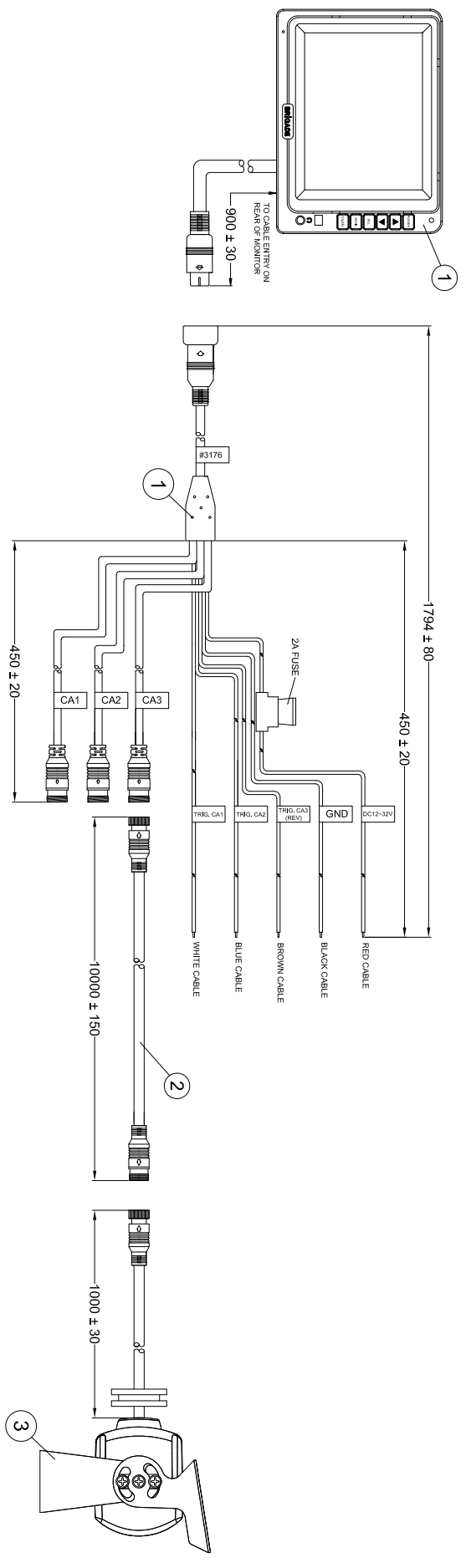


ITEM	STOCK CODE	QTY	DESCRIPTION
1	(#2504)	1	VBV-750BM MONITOR KIT
2	(#1386)	1	VBV-L410 10M CAMERA CABLE
3	(#1379A)	1	VBV-700C CAMERA



**NOTES:**  
 DIMENSIONS IN MM.  
 REFER TO COMPONENT DRAWINGS FOR COMPONENT DETAIL.  
 REFER TO COMPONENT PRODUCT SPEC FOR PRODUCT SPECIFICATIONS.

PROPRIETARY NOTICE  
 THIS DESIGN AND TECHNICAL INFORMATION APPEARING ON THIS DRAWING IS THE PROPERTY OF BRIGADE ELECTRONICS PLC, AND IS DISCLOSED IN CONFIDENCE. IT IS NOT TO BE COPIED, REPRODUCED, REVEALED TO OR APPROPRIATE BY OTHERS, EITHER IN WHOLE OR IN PART WITHOUT THE EXPRESS WRITTEN CONSENT OF BRIGADE ELECTRONICS PLC.

Item#	Quantity	Title/Name, designation, material, dimension etc	Article No./Reference
Designed by		Checked by	Date
MEUTLER		DKERAI	09/10/2009
Approved by		Approved by - date	Filename
		SMATTREWS	
<b>BRIGADE ELECTRONICS</b>		<b>VBV-750B-010 (#2506)</b>	
		BE-000913-00-09	
		Edition A	
		Sheet 1/1	